

- autonomous programmer with LCD display for configuration programmable transducer series AR5xx (np. AR592, AR593, AR594, AR580, AR581) and signal switch AR921
- displaying current measurement value, preview and edition of parameters
- programming input type, alarms and all other configuration data
- hand-held casing IP20
- USB connection cable of 1.5m included
- power supply via the USB cable from the programmed device

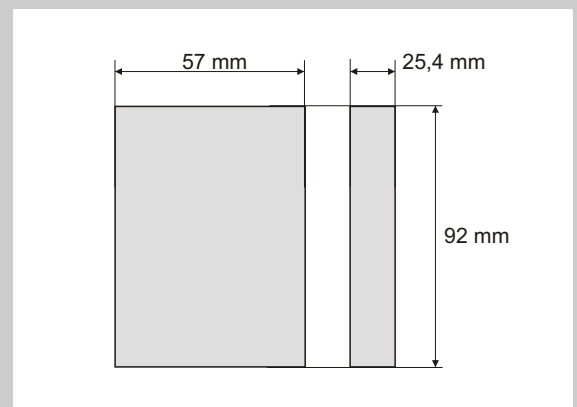
TECHNICAL DATA

Digital reading	LCD, 7-segments
- number of digits	4
- height of digits	10 mm
- range of indications	-1999+9999
Frequency of refreshing measurement value	4 Hz
Communication interface	TTL digital, USB type socket, protocol with CRC checksum
Connection cable	USB type with a length of 1.5m, disjoint
Power supply	via USB cable from programmable device
Operating temperature range	0 ÷ 65 °C
Relative humidity range	0 ÷ 90 % (non-condensing)
Enclosure	hand-held, material ABS
Dimensions	57 x 92 x 25,4 mm
Protection rating	IP50 (enclosure), IP20 (socket)
Operating position	any
Weight - without connecting cable.....	~75g
- with cable.....	~120g
Electromagnetic compatibility (EMC)	
- immunity: acc. to PN-EN 61000-6-2	
- emission: acc. to PN-EN 61000-6-4	



Enclosure

Dimensions	57 x 92 x 25,4 mm
Material	ABS



How to order

AR950