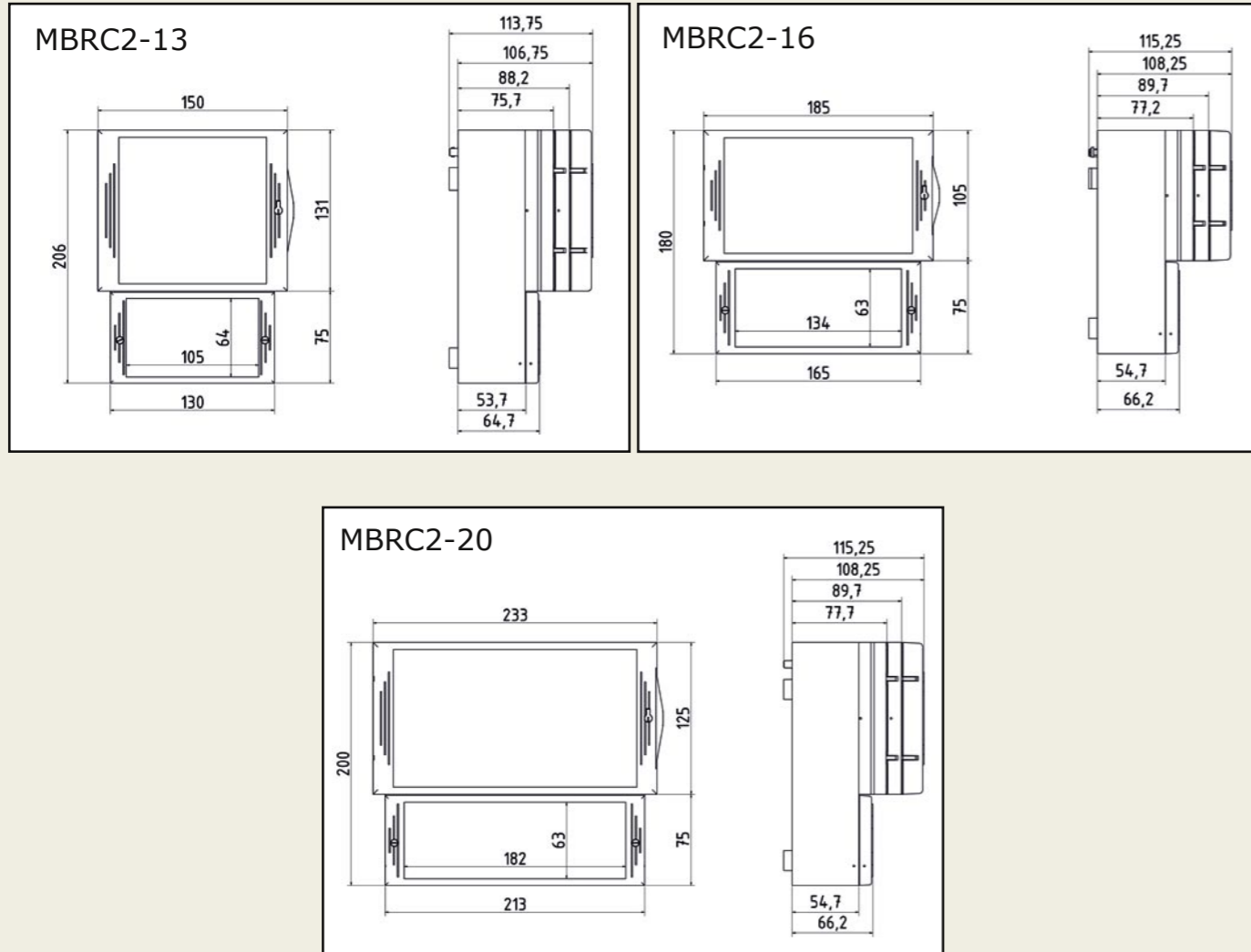


## Dimensioning:



Technical drawings and further information about our products can be found under:  
[www.multi-box.com](http://www.multi-box.com)



- ▶ MULTI-BOX GmbH
- ▶ Wallücker Bahndamm 7
- ▶ D-32278 Kirchlengern
- ▶ Telefon +49(0)5223 49107-0
- ▶ Telefax +49(0)5223 49107-28
- ▶ info@multi-box.com
- ▶ www.multi-box.com



FEB 2010 GB 3000



**MULTI-BOX**  
THE BOX COMPANY



**Controller-Card-Enclosure MBRC2**

# Controller-Card-Enclosure MBRC2

Protection class IP 65

07

The new **Controller-Card-Enclosures MBRC2** have got a larger connection cavity and all versions are based on protection class IP 65. Another advantage is the hinge supported membrane cover which could be also combined with the clear cover. The six different cover versions allow a large range of application in control installations and for measurement and control technique. Material: ABS (by request deliverable also in polycarbonate) Colour: light grey (special colours available on request) Temperature resistant: -40°C to +80°C

► **3 different dimensions** (please find the dimensioning on the back of this leaflet)

► **6 cover versions per every:**



- K** = clear cover
- F** = membrane cover
- FK** = membrane and clear cover
- R** = frame
- RA** = frame with aluminium front plate
- RG** = frame enclosed

► **With knock outs in the connection cavity**



Number of knock outs	
MBRC2-13	1 x M12, 1 x M16, 1 x M20
MBRC2-16	1 x M12, 2 x M16, 1 x M20
MBRC2-20	1 x M12, 4 x M16, 1 x M20

Type	Specification					
	K	F	FK	R	RA	RG
MBRC2-13	MBRC2-13 K	MBRC2-13 F	MBRC2-13 FK	MBRC2-13 R	MBRC2-13 RA	MBRC2-13 RG
Art.-Nr. with knock outs:	0742130100	0742130200	0742130300	0742130400	0742130500	0742130600
MBRC2-16	MBRC2-16 K	MBRC2-16 F	MBRC2-16 FK	MBRC2-16 R	MBRC2-16 RA	MBRC2-16 RG
Art.-Nr. with knock outs:	0742160100	0742160200	0742160300	0742160400	0742160500	0742160600
MBRC2-20	MBRC2-20 K	MBRC2-20 F	MBRC2-20 FK	MBRC2-20 R	MBRC2-20 RA	MBRC2-20 RG
Art.-Nr. with knock outs:	0742200100	0742200200	0742200300	0742200400	0742200500	0742200600

# Controller-Card-Enclosure MBRC2

Protection class IP 65

07

► **Without knock outs in the connection cavity for individual machining**



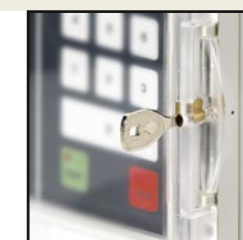
Type	Specification					
	K	F	FK	R	RA	RG
MBRC2-13	MBRC2-13 K	MBRC2-13 F	MBRC2-13 FK	MBRC2-13 R	MBRC2-13 RA	MBRC2-13 RG
Art.-Nr. without knock outs:	0742130101	0742130201	0742130301	0742130401	0742130501	0742130601
MBRC2-16	MBRC2-16 K	MBRC2-16 F	MBRC2-16 FK	MBRC2-16 R	MBRC2-16 RA	MBRC2-16 RG
Art.-Nr. without knock outs:	0742160101	0742160201	0742160301	0742160401	0742160501	0742160601
MBRC2-20	MBRC2-20 K	MBRC2-20 F	MBRC2-20 FK	MBRC2-20 R	MBRC2-20 RA	MBRC2-20 RG
Art.-Nr. without knock outs:	0742200101	0742200201	0742200301	0742200401	0742200501	0742200601

► **Accessories and equipments**



clear cover with hinge

lock for clear cover (incl. 2 keys) art.-no. 0742019000



membrane cover with hinge

front plate adapter and closing plug (incl. the consignment)



external fixings about 90° turnable (Set = 4 pieces) art.-no. 0742019001

clear cover and covers of the connection cavity are sealable

